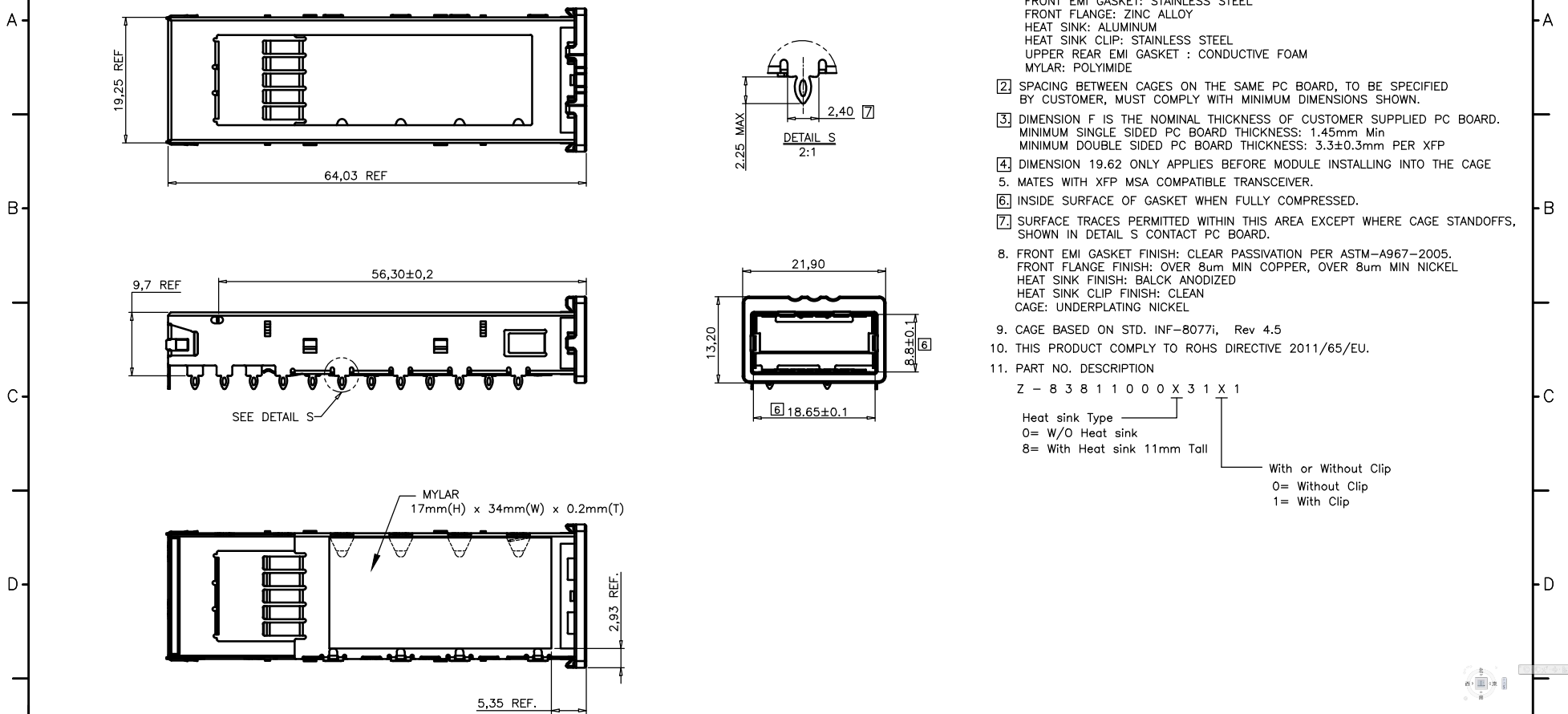


CAGE DETAILS (P/N:Z-8381100003101)



- MATERIALS:**
 CAGE HOUSING : COPPER ALLOY, 0.25 THICKNESS
 FRONT EMI GASKET: STAINLESS STEEL
 FRONT FLANGE: ZINC ALLOY
 HEAT SINK: ALUMINUM
 HEAT SINK CLIP: STAINLESS STEEL
 UPPER REAR EMI GASKET : CONDUCTIVE FOAM
 MYLAR: POLYIMIDE
- SPACING BETWEEN CAGES ON THE SAME PC BOARD, TO BE SPECIFIED BY CUSTOMER, MUST COMPLY WITH MINIMUM DIMENSIONS SHOWN.
- DIMENSION F IS THE NOMINAL THICKNESS OF CUSTOMER SUPPLIED PC BOARD.
 MINIMUM SINGLE SIDED PC BOARD THICKNESS: 1.45mm Min
 MINIMUM DOUBLE SIDED PC BOARD THICKNESS: 3.3±0.3mm PER XFP
- DIMENSION 19.62 ONLY APPLIES BEFORE MODULE INSTALLING INTO THE CAGE
- MATES WITH XFP MSA COMPATIBLE TRANSCEIVER.
- INSIDE SURFACE OF GASKET WHEN FULLY COMPRESSED.
- SURFACE TRACES PERMITTED WITHIN THIS AREA EXCEPT WHERE CAGE STANDOFFS, SHOWN IN DETAIL S CONTACT PC BOARD.
- FRONT EMI GASKET FINISH: CLEAR PASSIVATION PER ASTM-A967-2005.
 FRONT FLANGE FINISH: OVER 8um MIN COPPER, OVER 8um MIN NICKEL
 HEAT SINK FINISH: BALCK ANODIZED
 HEAT SINK CLIP FINISH: CLEAN
 CAGE: UNDERPLATING NICKEL

9. CAGE BASED ON STD. INF-8077; Rev 4.5
 10. THIS PRODUCT COMPLY TO ROHS DIRECTIVE 2011/65/EU.
 11. PART NO. DESCRIPTION
 Z - 8 3 8 1 1 0 0 0 X 3 1 X 1

Heat sink Type ————
 0= W/O Heat sink
 8= With Heat sink 11mm Tall

With or Without Clip
 0= Without Clip
 1= With Clip

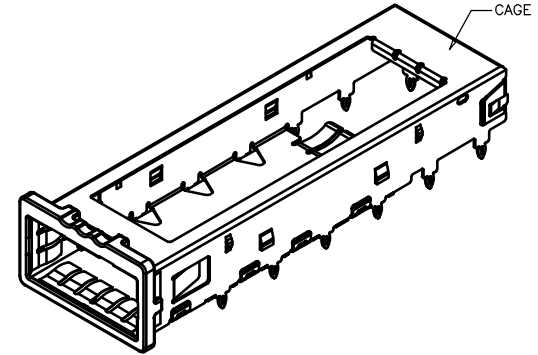
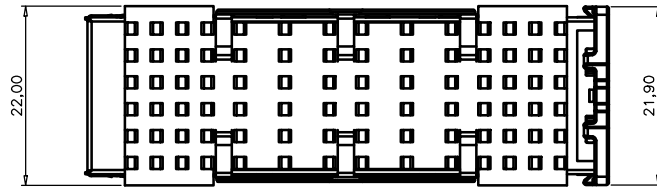
正凌精密工业(广东)有限公司
 2017/03/27
 内部资料请勿复印

A	ECN-160143	03/23'17
X1	NEW PRODUCT	06/09'15
REV.	DESCRIPTION	DATE

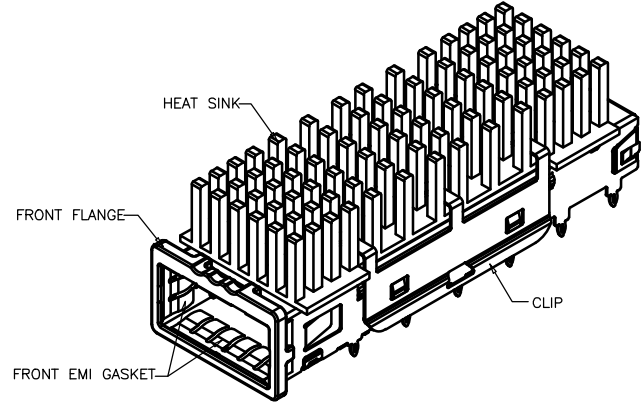
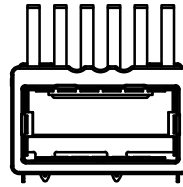
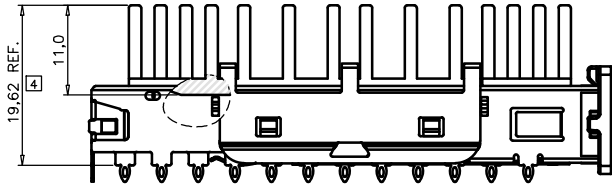
UNITS ■mm □ INCH	NAME: ASSEMBLY, XFP CAGE W/O ELASTOMERIC GASKET, WITH MYLAR	NEXTRONICS ENGINEERING CORP.	
GENERAL TOLERANCES: (UNLESS SPECIFIED)	PART NO: Z-83811000X31X1	TITLE: CUSTOMER DWG.	
	APPD: 楊海文 2017/03/27	DWG NO:	C
	CHKD: 廖小瓊 2017/03/24	010-0000-D78	
	DRAWN: 曾定勇 2017/3/23	SCALE: SHEET: REV.:	
		NA 1/5 A	

1 2 3 4 5 6 7 8

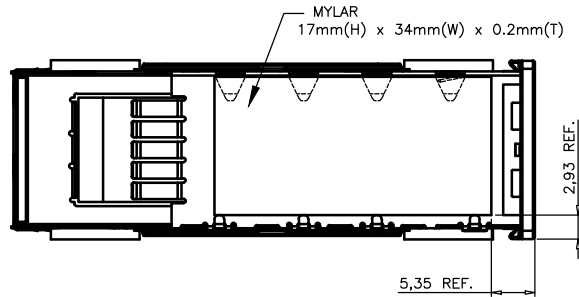
SHOWN WITH OPTIONAL HEAT SINK (11mm) AND CLIP



SHOWN WITHOUT HEAT SINK
P/N:Z-838110003101



SHOWN WITH OPTIONAL HEAT SINK (11mm) AND CLIP
P/N:Z-8381100083111



正凌精密工业(广东)有限公司

2017/03/27

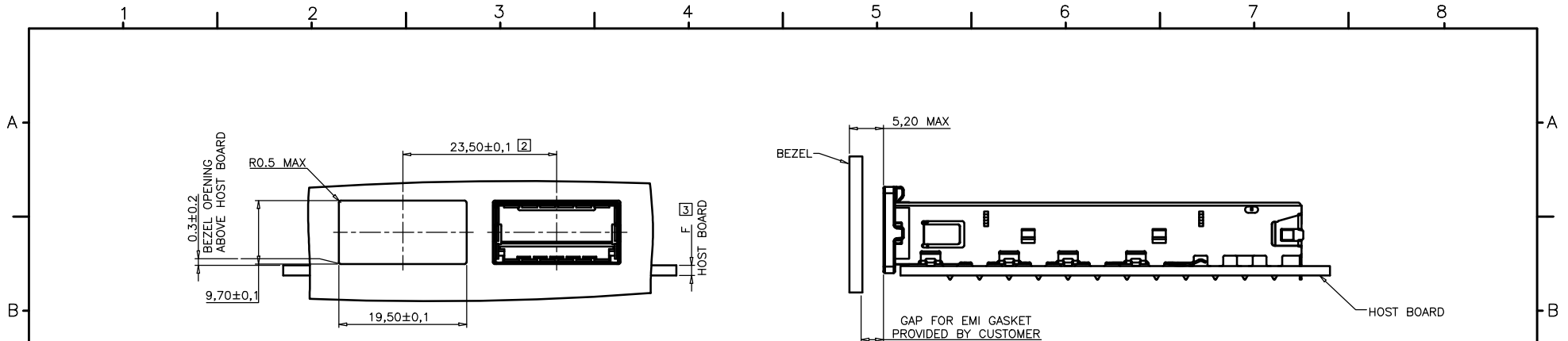
内部资料请勿复印

A	ECN-160143	03/23'17
X1	NEW PRODUCT	06/09'15
REV.	DESCRIPTION	DATE

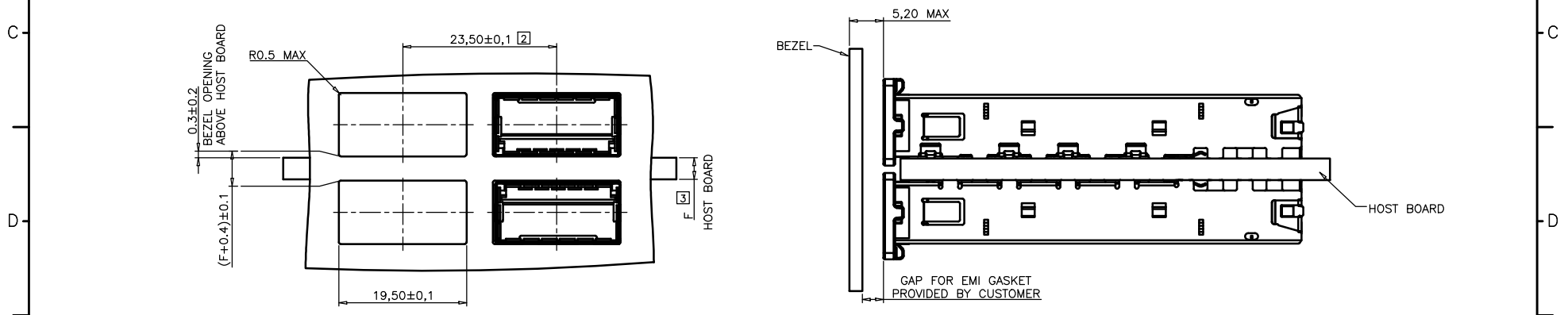
UNITS ■ mm □ INCH	NAME: ASSEMBLY, XFP CAGE W/O ELASTOMERIC GASKET, WITH MYLAR	nextron NEXTRONICS ENGINEERING CORP.	
GENERAL TOLERANCES: (UNLESS SPECIFIED)	PART NO: Z-83811000X31X1	TITLE: CUSTOMER DWG.	
	APPD: 楊海文 2017/03/27	DWG NO:	C
	CHKD: 廖小瓊 2017/03/24	010-0000-D78	
4 PLACE ±** ±**	DRAWN: 曾定勇 2017/3/23	SCALE: SHEET: REV.:	
3 PLACE ±0.1 ±.**		NA 2/5 A	
2 PLACE ±0.20 ±.**			
1 PLACE ±0.30 ±.**			
ANGULAR: X°±3' .X°±**			

A2

D-PRD-034



RECOMMENDED SINGLE SIDE MOUNTING BEZEL DESIGN

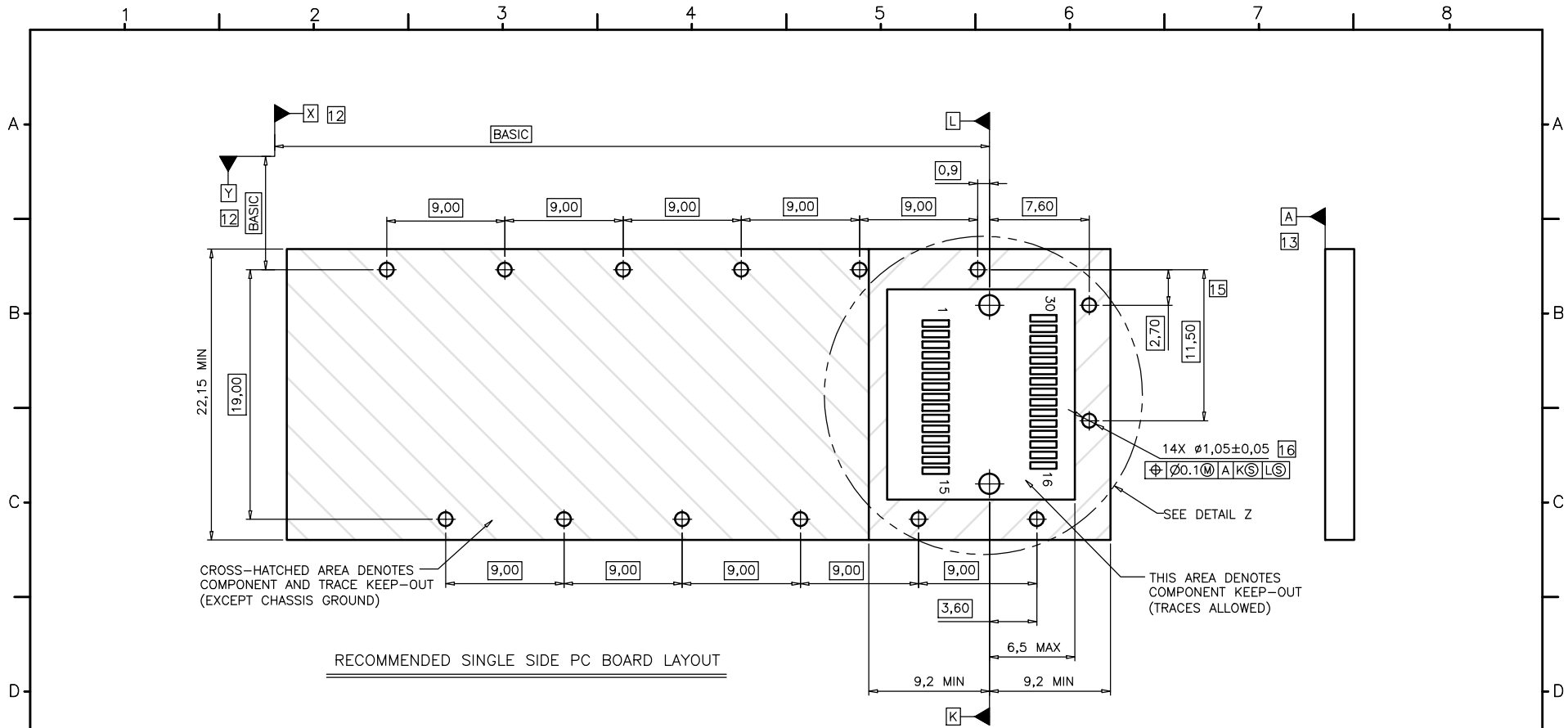


RECOMMENDED DOUBLE SIDE MOUNTING BEZEL DESIGN

正凌精密工业(广东)有限公司
2017/03/27
 内部资料请勿复印

A	ECN-160143	03/23'17
X1	NEW PRODUCT	06/09'15
REV.	DESCRIPTION	DATE

UNITS ■ mm □ INCH	NAME: ASSEMBLY, XFP CAGE W/O ELASTOMERIC GASKET, WITH MYLAR	nexttron NEXTRONICS ENGINEERING CORP.	
GENERAL TOLERANCES: (UNLESS SPECIFIED)	PART NO: Z-83811000X31X1	TITLE: CUSTOMER DWG.	
	APPD: 楊海文 2017/03/27	DWG NO:	C
4 PLACE ±** ±**	CHKD: 廖小瓊 2017/03/24	010-0000-D78	
3 PLACE ±0.1 ±**	DRAWN: 曾定勇 2017/3/23	SCALE: SHEET: REV.:	
2 PLACE ±0.20 ±**		NA 3/5 A	
1 PLACE ±0.30 ±**			
ANGULAR: X°±3' .X°±**			



CROSS-HATCHED AREA DENOTES COMPONENT AND TRACE KEEP-OUT (EXCEPT CHASSIS GROUND)

THIS AREA DENOTES COMPONENT KEEP-OUT (TRACES ALLOWED)

RECOMMENDED SINGLE SIDE PC BOARD LAYOUT

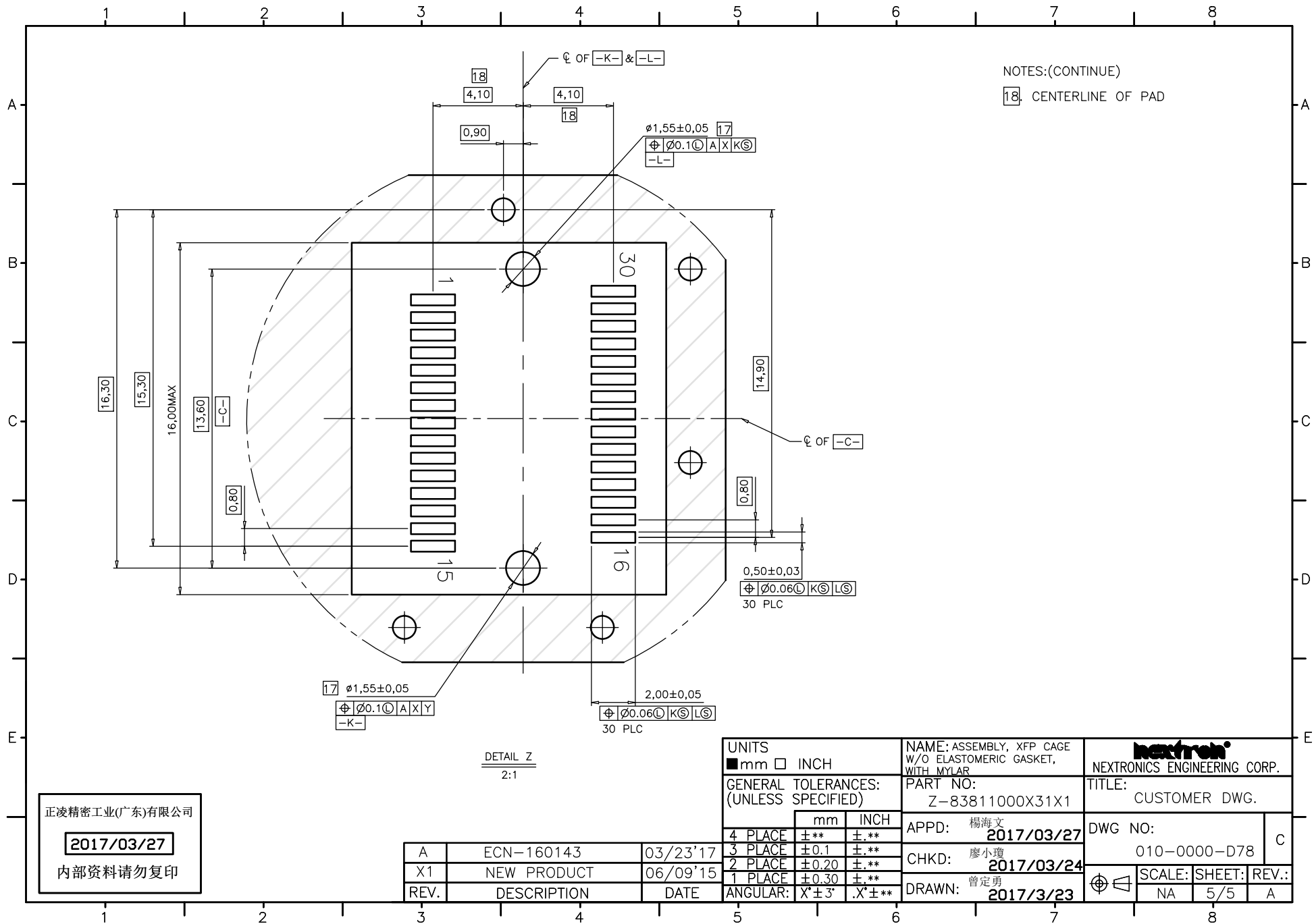
NOTES:(CONTINUE)

- 12. DATUM X & Y ARE ESTABLISHED BY THE CUSTOMER'S FIDUCIAL
- 13. DATUM A IS THE TOP SURFACE OF THE HOST BOARD
- 14. LOCATION OF THE EDGE OF PCB IS APPLICATION SPECIFIC
- 15. BASELINE FOR THESE DIMENSIONS IS THE CENTER OF COMPLIANT PIN HOLE.
- 16. FINISHED HOLE SIZE
- 17. UNPLATED THRU HOLE.

正凌精密工业(广东)有限公司
2017/03/27
 内部资料请勿复印

A	ECN-160143	03/23'17
X1	NEW PRODUCT	06/09'15
REV.	DESCRIPTION	DATE

UNITS <input checked="" type="checkbox"/> mm <input type="checkbox"/> INCH		NAME: ASSEMBLY, XFP CAGE W/O ELASTOMERIC GASKET, WITH MYLAR		 NEXTRONICS ENGINEERING CORP.	
GENERAL TOLERANCES: (UNLESS SPECIFIED)		PART NO: Z-83811000X31X1		TITLE: CUSTOMER DWG.	
4 PLACE	±**	±.**	APPD: 楊海文 2017/03/27	DWG NO: 010-0000-D78	
3 PLACE	±0.1	±.**	CHKD: 廖小瓊 2017/03/24	C	
2 PLACE	±0.20	±.**	DRAWN: 曾定勇 2017/3/23	SCALE: SHEET: REV.:	
1 PLACE	±0.30	±.**		NA 4/5 A	
ANGULAR:	X'±3'	.X'±**			



NOTES:(CONTINUE)
 18 CENTERLINE OF PAD

DETAIL Z
 2:1

正凌精密工业(广东)有限公司
 2017/03/27
 内部资料请勿复印

A	ECN-160143	03/23'17
X1	NEW PRODUCT	06/09'15
REV.	DESCRIPTION	DATE

UNITS <input checked="" type="checkbox"/> mm <input type="checkbox"/> INCH		NAME: ASSEMBLY, XFP CAGE W/O ELASTOMERIC GASKET, WITH MYLAR		NEXTRONICS ENGINEERING CORP.	
GENERAL TOLERANCES: (UNLESS SPECIFIED)		PART NO: Z-83811000X31X1		TITLE: CUSTOMER DWG.	
4 PLACE ±**	±**	APPD: 楊海文	2017/03/27	DWG NO:	C
3 PLACE ±0.1	±.**	CHKD: 廖小瓊	2017/03/24	010-0000-D78	
2 PLACE ±0.20	±.**	DRAWN: 曾定勇	2017/3/23	SCALE: SHEET: REV.:	
1 PLACE ±0.30	±.**			NA 5/5 A	
ANGULAR: X°±3'	.X°±**				