

NOTE:

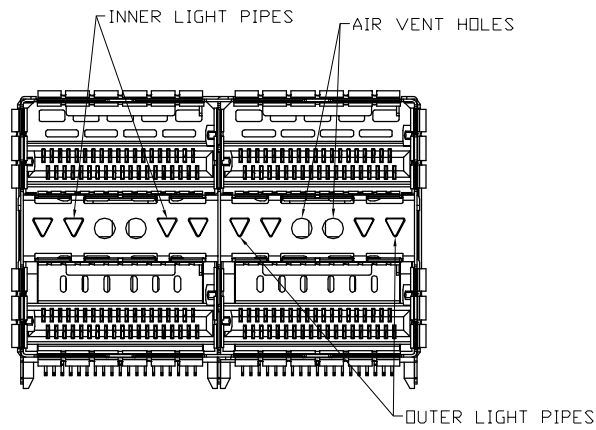
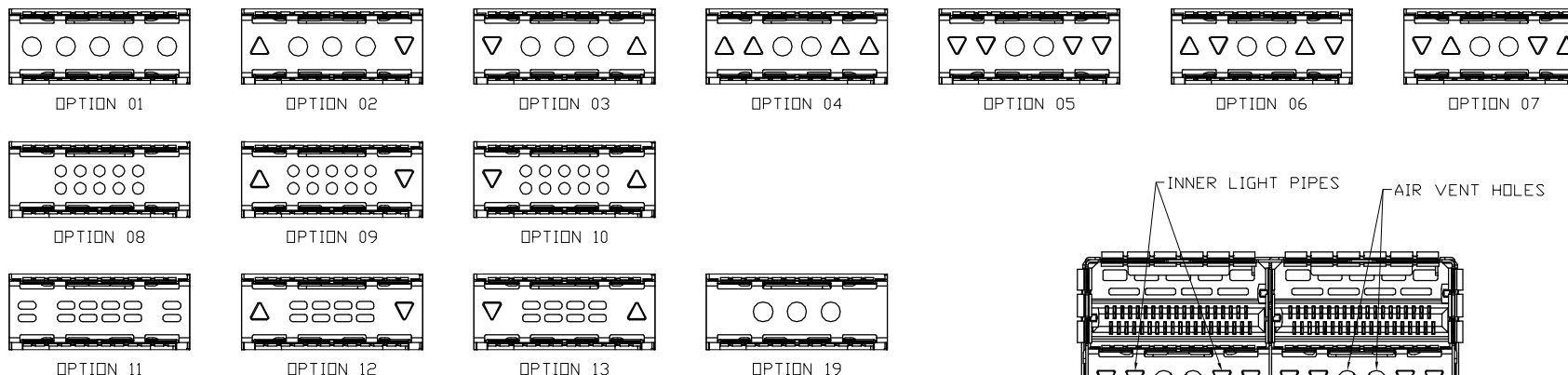
1. MATERIAL:
 CAGE: STAINLESS STEEL.
 EMI SPRINGS: STAINLESS STEEL.
 CONNECTOR HOUSING: HIGH TEMPERATURE THERMOPLASTIC,
 UL94V-0, COLOR: BLACK.
 CONTACTS: COPPER ALLOY.
 LIGHT PIPE: POLYCARBONATE, CLEAR.
2. FINISH:
 CONTACTS: GOLD PLATED ON CONTACT AREA;
 MATTE TIN PLATED ON TAIL AREA.
3. THIS PART MEETS THE RESTRICTION OF HAZARDOUS
 SUBSTANCES IN ELECTRICAL AND ELECTRONIC
 EQUIPMENT (ROHS) DIRECTIVE (2011/65/EU).

UNITS <input checked="" type="checkbox"/> mm <input type="checkbox"/> INCH		NAME: QSF+ 2X2, THRU BEZEL		 NEXTRONICS ENGINEERING CORP.	
GENERAL TOLERANCES: (UNLESS SPECIFIED)		PART NO: Z-844T022P0XX01			
				DWG NO: 010-0000-E53	
		APPD: 楊海文 09/28'14		C	
		CHKD: 楊海文 09/28'14		SCALE: SHEET: REV.:	
		DRAWN: 廖小瓊 09/28'14		N/A 1/3 X1	

X1	NEW RELEASE	09/28'14	楊海文
REV.	DESCRIPTION	DATE	APPD

TABLE 1: LIGHT PIPES & AIR VENT HOLES OPTION

PART NUMBER	DESCRIPTION	AIR VENT HOLES OPTION	LIGHT PIPES OPTION
Z-844T022P00101	WITH LARGE CIRCULAR VENT HOLES (5 HOLES), WITHOUT LIGHT PIPE	LARGE CIRCULAR VENT HOLES	01 = NONE
Z-844T022P00201	WITH LARGE CIRCULAR VENT HOLES, WITH OUTER LIGHT PIPES	LARGE CIRCULAR VENT HOLES	02 = UP / DOWN
Z-844T022P00301	WITH LARGE CIRCULAR VENT HOLES, WITH OUTER LIGHT PIPES	LARGE CIRCULAR VENT HOLES	03 = DOWN / UP
Z-844T022P00401	WITH LARGE CIRCULAR VENT HOLES, WITH INNER & OUTER LIGHT PIPES	LARGE CIRCULAR VENT HOLES	04 = UP UP / UP UP
Z-844T022P00501	WITH LARGE CIRCULAR VENT HOLES, WITH INNER & OUTER LIGHT PIPES	LARGE CIRCULAR VENT HOLES	05 = DOWN DOWN / DOWN DOWN
Z-844T022P00601	WITH LARGE CIRCULAR VENT HOLES, WITH INNER & OUTER LIGHT PIPES	LARGE CIRCULAR VENT HOLES	06 = UP DOWN / UP DOWN
Z-844T022P00701	WITH LARGE CIRCULAR VENT HOLES, WITH INNER & OUTER LIGHT PIPES	LARGE CIRCULAR VENT HOLES	07 = DOWN UP / DOWN UP
Z-844T022P00801	WITH SMALL CIRCULAR VENT HOLES, WITHOUT LIGHT PIPE	SMALL CIRCULAR VENT HOLES	08 = NONE
Z-844T022P00901	WITH SMALL CIRCULAR VENT HOLES, WITH OUTER LIGHT PIPES	SMALL CIRCULAR VENT HOLES	09 = UP / DOWN
Z-844T022P01001	WITH SMALL CIRCULAR VENT HOLES, WITH OUTER LIGHT PIPES	SMALL CIRCULAR VENT HOLES	10 = DOWN / UP
Z-844T022P01101	WITH RECTANGULAR CIRCULAR VENT HOLES, WITHOUT LIGHT PIPE	RECTANGULAR VENT HOLES	11 = NONE
Z-844T022P01201	WITH RECTANGULAR CIRCULAR VENT HOLES, WITH OUTER LIGHT PIPES	RECTANGULAR VENT HOLES	12 = UP / DOWN
Z-844T022P01301	WITH RECTANGULAR CIRCULAR VENT HOLES, WITH OUTER LIGHT PIPES	RECTANGULAR VENT HOLES	13 = DOWN / UP
Z-844T022P01901	WITH LARGE CIRCULAR VENT HOLES (3 HOLES), WITHOUT LIGHT PIPE	LARGE CIRCULAR VENT HOLES	19 = NONE



PART NUMBER Z-844T022P00501 AS SHOWN
SCALE: 2:1

NEXTRON PART NUMBER DESCRIPTION:

Z - 844T0XXXP0XX01

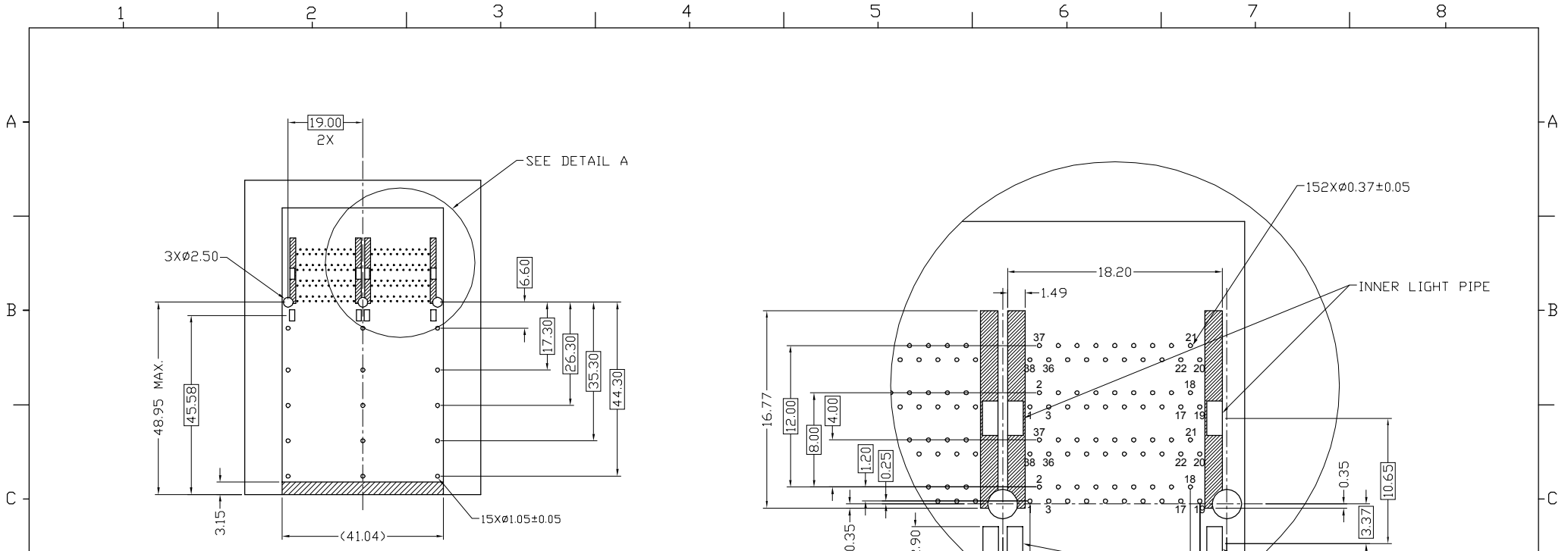
PRODUCT TYPE		LIGHT PIPES & AIR VENT HOLES OPTION	
DEFINITION	CODE	DEFINITION	CODE
2x1	21	SEE TABLE 1 FOR OPTION	01~19
2x2	22		
2x3	23		

REV.	DESCRIPTION	DATE	APPD
X1	NEW RELEASE	09/28/14	楊海文

UNITS		
mm	INCH	
GENERAL TOLERANCES: (UNLESS SPECIFIED)		
	mm	INCH
4 PLACE	± **.	± **.
3 PLACE	± 0.10	± **.
2 PLACE	± 0.20	± **.
1 PLACE	± 0.30	± **.
ANGULAR:	X° ± 1°	X° ± **.

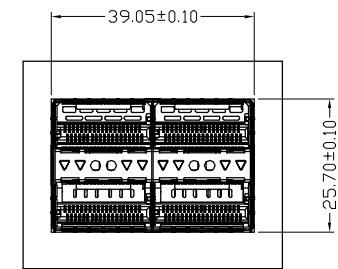
NAME:	QSF+ 2X2, THRU BEZEL
PART NO:	Z-844T022P0XX01
APPD:	楊海文 09/28/14
CHKD:	楊海文 09/28/14
DRAWN:	廖小瓊 09/28/14

 NEXTRONICS ENGINEERING CORP.	
TITLE: CUSTOMER DWG.	
DWG NO:	010-0000-E53
SCALE:	N/A
SHEET:	2/3
REV.:	X1

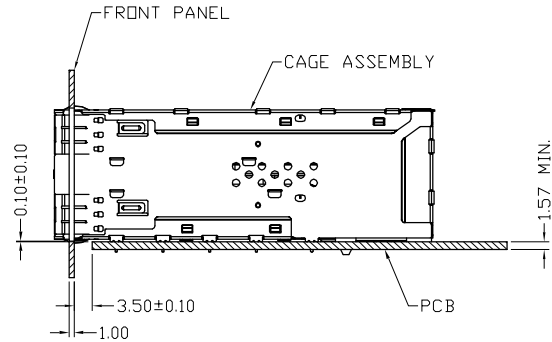


RECOMMENDED PCB LAYOUT
 MINIMUM PCB THICKNESS OF 1.57MM
 TOLERANCE: ±0.05

DETAIL A
 SCALE 3:1



RECOMMENDED PANEL CUTOUT



X1	NEW RELEASE	09/28'14	楊海文
REV.	DESCRIPTION	DATE	APPD

UNITS <input checked="" type="checkbox"/> mm <input type="checkbox"/> INCH		NAME: QSPF+ 2X2, THRU BEZEL		 NEXTRONICS ENGINEERING CORP.	
GENERAL TOLERANCES: (UNLESS SPECIFIED)		PART NO: Z-844T022P0XX01		TITLE: CUSTOMER DWG.	
	mm	INCH	APPD: 楊海文 09/28'14	DWG NO: 010-0000-E53	
4 PLACE	± **	±. **	CHKD: 楊海文 09/28'14	C	
3 PLACE	± 0.10	±. **	DRAWN: 廖小瓊 09/28'14	SCALE: SHEET: REV.:	
2 PLACE	± 0.20	±. **		N/A	3/3
1 PLACE	± 0.30	±. **			X1
ANGULAR:	X° ± 1°	X° ± **			