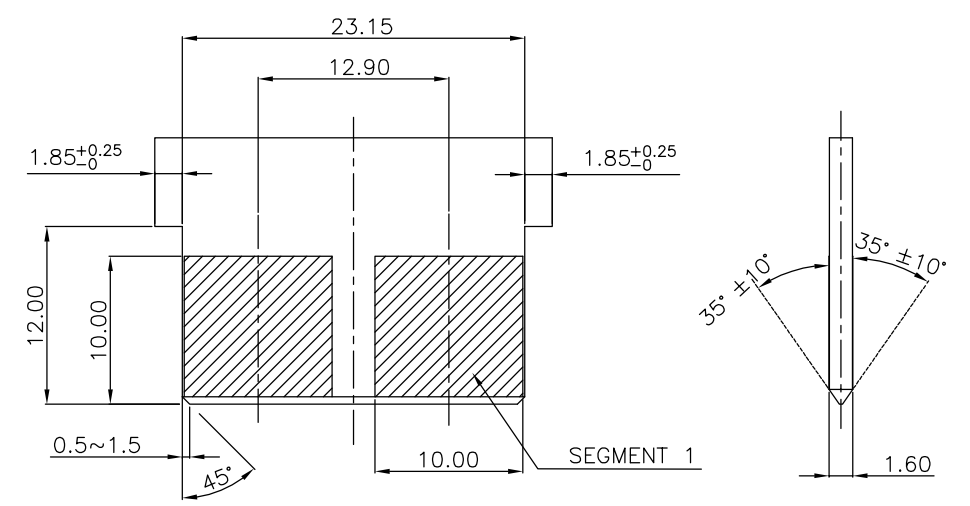
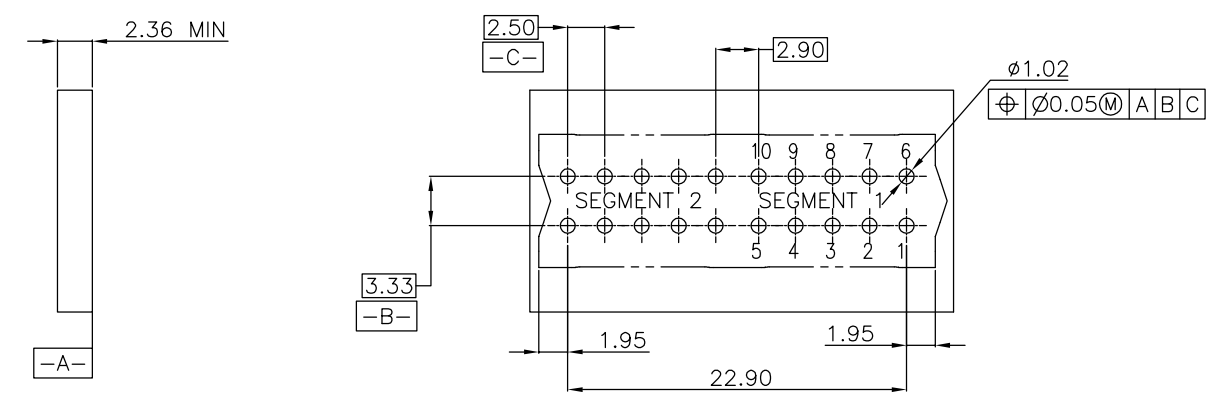


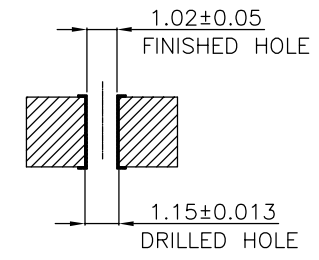
- NOTES:
- HOUSING MATERIAL: THERMOPLASTIC POLYESTER UL94V-0 BALCK;  
TERMINAL MATERIAL: COPPER ALLOY
  - FINISHED: GOLD PATING IN CONTACT AREA,  
TIN PLATING IN SOLDER AREA,NICKEL UNDERPLATING OVER ALL.
  - CONNECTOR MARKED WITH PART NUMBER AND DATE CODE.
  - VOLTAGE:  
POWER CONTACT: 250 VOLTS
  - CURRENT  
POWER CONTACT:40A,PER MATED CONTACT,  
POWER CONTACT CURRENT INTERRUPTION:40A AT 50V PER  
MATED CONTACT(WHEN MATED WITH CUSTOMER SUPPLIED  
METAL BLADE OR BUS BAR).
  - INSULATION RESISTANCE: 5000 MEGOHMS AT APPLY 500 VDC  
BETWEEN ADJACENT TERMINALS OR GROUND.
  - TEPERRATURE  
OPERATING:-40°C TO +105°C
  - PCB THICKNESS: 2.36MM MIN



RECOMMENDED EDGE CARD LAYOUT  
EDGE CARD THICKNESS : 1.57±0.15mm  
TOLERANCE:±0.05  
Au PLATE THICKNESS: 0.000762 MIN.



PCB LAYOUT: COMPONENT SIDE  
TOLERANCE:±0.05



RECOMMENDED TIN PLATEDTHOUGH HOLE DIMMENSIONS  
COPPER PLATE THICKNESS: 0.03MIN.(PER SURFACE)  
TIN PLATE THICKNESS: 0.0003MIN.(PER SURFACE)

|      |           |           |           |       |
|------|-----------|-----------|-----------|-------|
| 20   | POWER     | POWER     |           |       |
| POS. | SEGMENT 1 | SEGMENT 2 | SEGMENT 3 | NOTES |

|   |       |   |                    |   |                         |
|---|-------|---|--------------------|---|-------------------------|
| UNITS<br>■ mm □ INCH                      |       | NAME:<br>POWER EDGE CONNECTOR<br>POWER 20P. PRESS-FIT |                    | nexttron®<br>NEXTRONICS ENGINEERING CORP. |                         |
| GENERAL TOLERANCES:<br>(UNLESS SPECIFIED) |       | PART NO:<br>R-815F1132P2000                           |                    | TITLE:<br>CUSTOMER DWG.                   |                         |
|   | mm    | INCH  | APPD:              |   | DWG NO:<br>010-0000-764 |
| 4 PLACE                                   | ±***  | ±.***   | CHKD:              |   | C                       |
| 3 PLACE                                   | ±0.10 | ±.***   | DRAWN: 賀秀秋 9/26,12 |   |                         |
| 2 PLACE                                   | ±0.15 | ±.***   | SCALE: 2:1         |   | SHEET: 1/1              |
| 1 PLACE                                   | ±0.25 | ±.***   | REV.: A            |   |                         |
| ANGULAR:                                  | X°±2° | .X°±***   |                    |   |                         |

|      |             |          |        |
|------|-------------|----------|--------|
| A    | ECN-210160  | 9/26,12  |        |
| X1   | NEW DESIGN  | 10/20,10 | Seawen |
| REV. | DESCRIPTION | DATE     | APPD   |