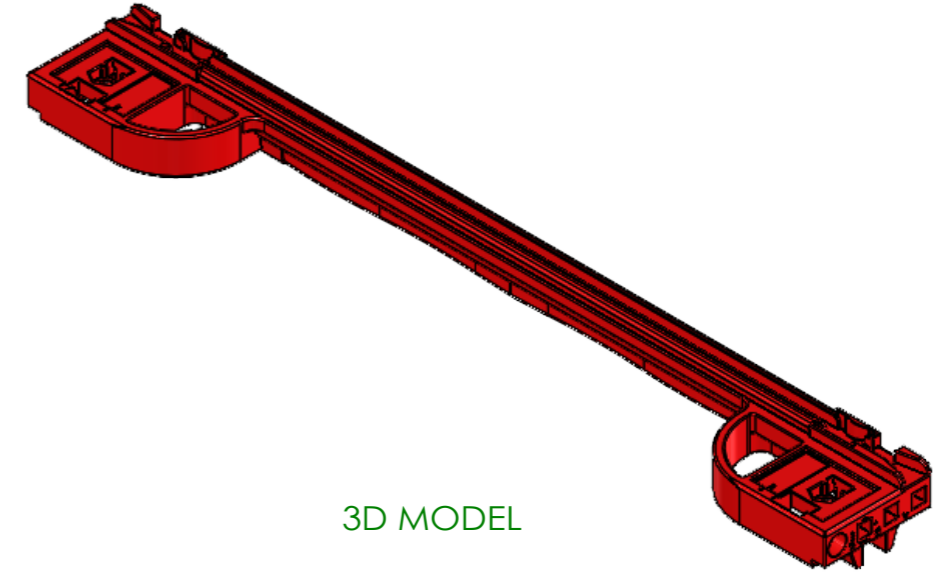
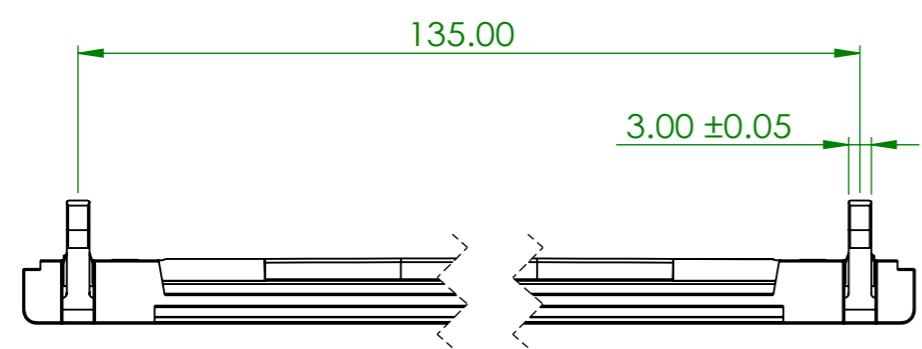
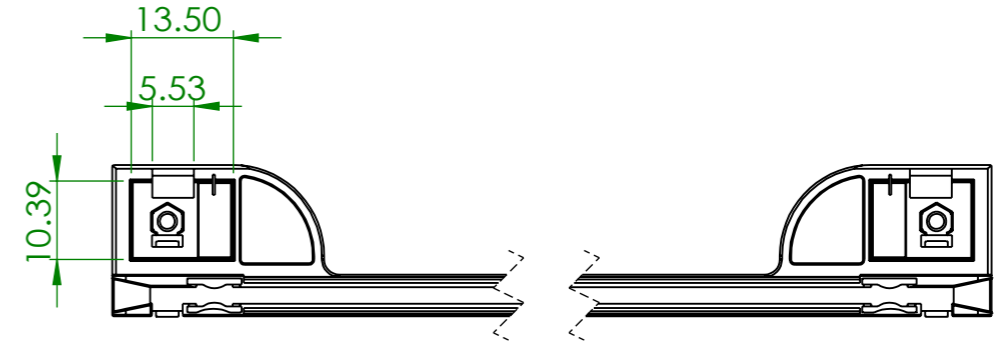
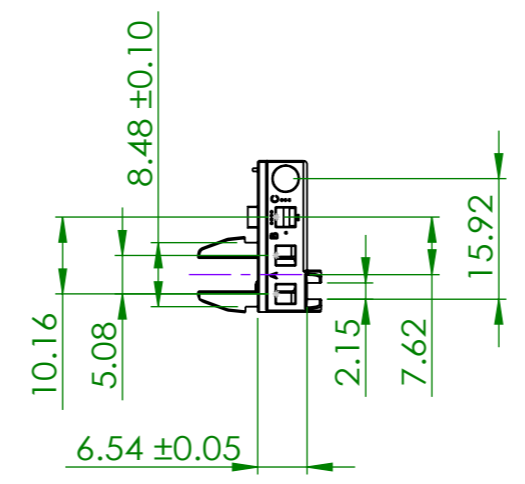
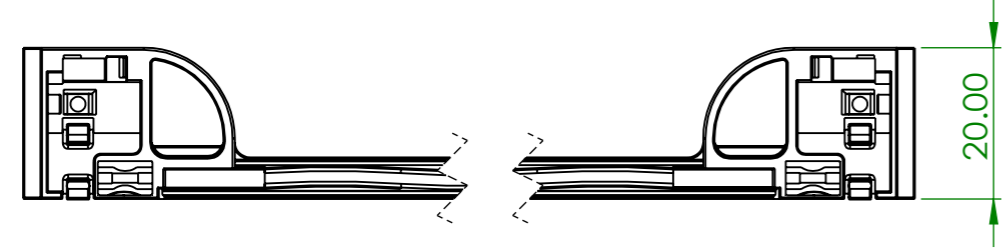
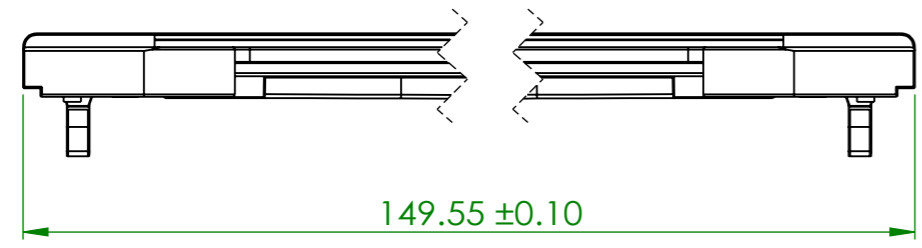


模具編號: ***

CPK	QIP
▽ = *	⊘(X.XX) = *



3D MODEL

正凌精密工業股份有限公司
EPDM發行章
此文件經由EPDM系統自動發行
無發行日期時為無效文件

XX REV.	XXXX DESCRIPTION	XXXX/XX/XX DATE

UNITS: ■ mm □ inch	SIZE A3	NAME: CARGUIDE-160mm	 NEXTRONICS ENGINEERING CORP.		
GENERAL TOLERANCE: ISO2768-f (UNLESS SPECIFIED)		PART NO:	TITLE: PART DWG.		
RANGE(mm)	mm	APPD:	DWG NO:		
0.5 ~ 6	± 0.05	CHKD:	P		
6 ~ 30	± 0.1	DRAW:	SCALE	SHEET	REV.
30 ~ 120	± 0.15	DESIGN:	1:1	1 / 1	
120 ~ 400	± 0.2				
ANGLE	X° ± 1°				