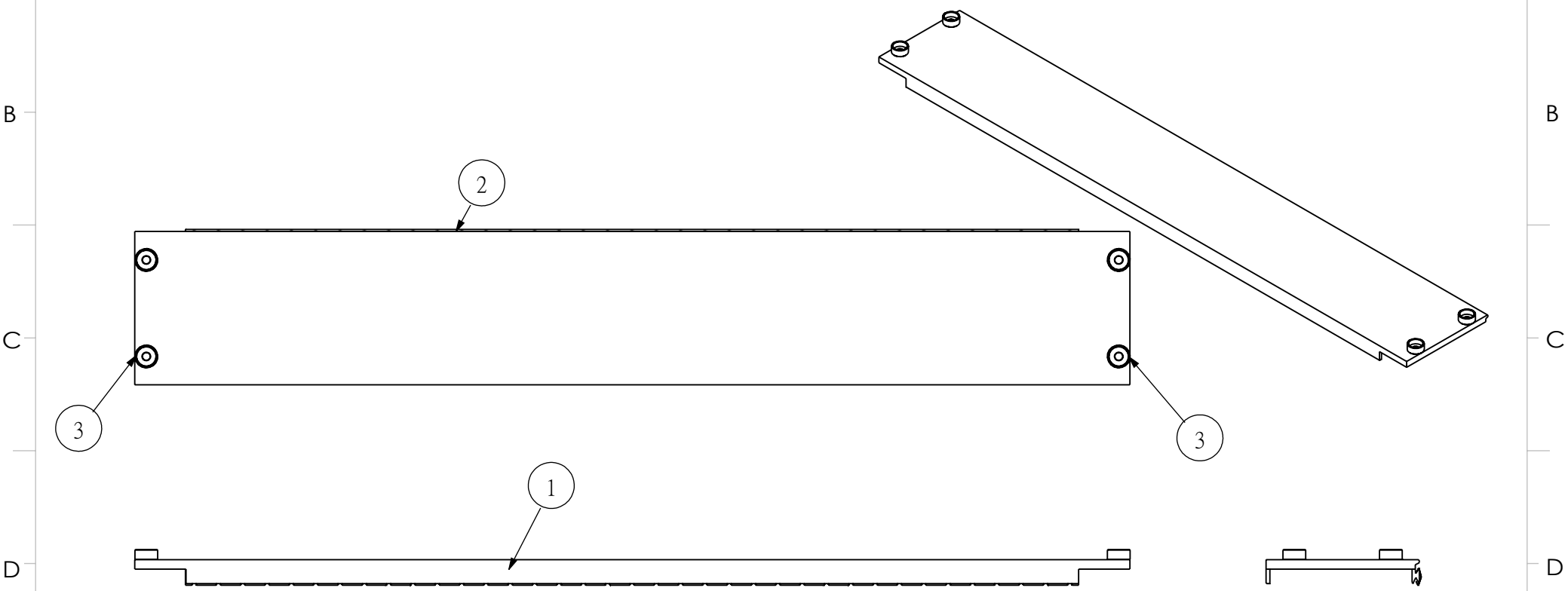


POS.	Part Name	Nextron Part No.	Qty.
1	6U4HP PANEL	P173034BA604000A08	1
2	GASKET 6U	P173034GZYKS003A00	1
3	NUT-M2.5	P173034GZYNL001A00	4

REV.	Description	APPD.



NOTES:

1.MATERIAL:

- (A)-PANEL:EXTRUDED ALUMINUM
- (B)-GASKET:STANLESS STEEL
- (C)-NUT:ALLOY STEEL

2-FINISH:

- (A)-PANEL:CLEAR CHROMATED & HAIR LINE
- 3-RoHS COMPLETE

UNITS: mm	CUSTOM DWG NO / REV: LEAN 6U4HP	NAME: LEANPAC 6U4HP PANEL	<b>LEANPAC</b>	
MAT'L: Notes1	FINISH: Notes2	Q'TY: SET		
.X ± ***	.X° ± ***	APPD: JAMES CHEN 2009.03.11	DWG NO: 805-0000-002	
.XX ± ***	.XX° ± ***	CHKD: JAMES CHEN 2009.03.11		
.XXX ± ***	.XXX° ± ***	DRAWN: JAMES CHEN 2009.03.11		
			REV.:	A0